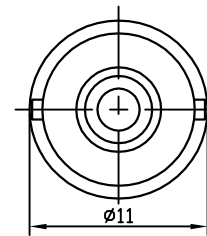
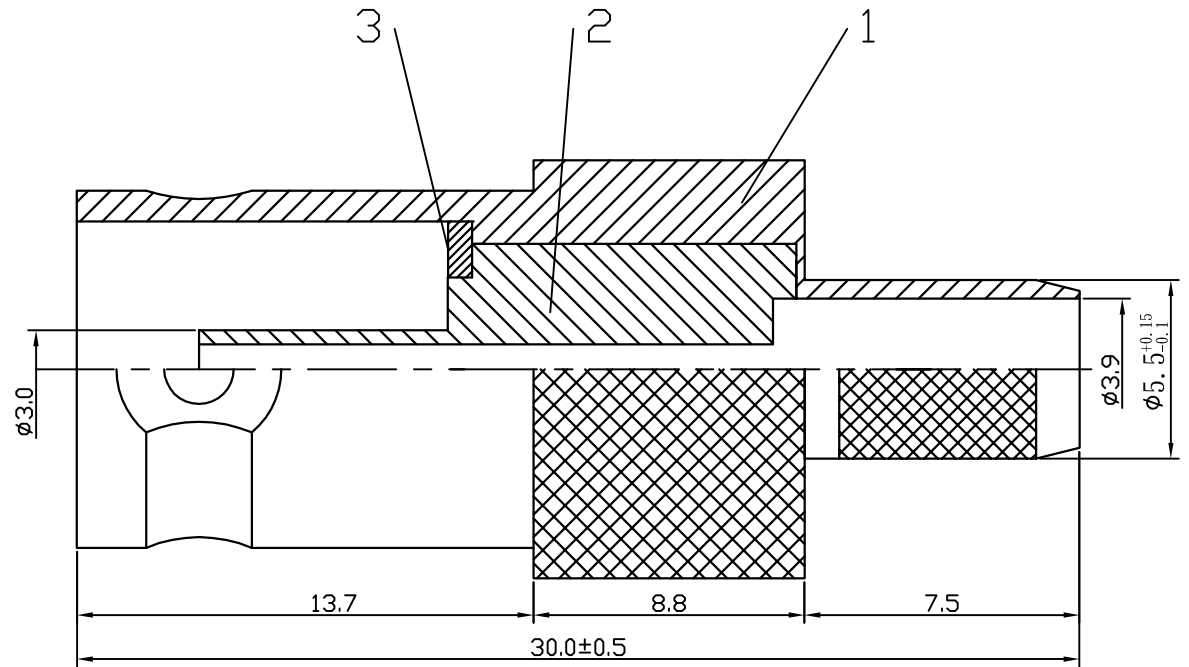
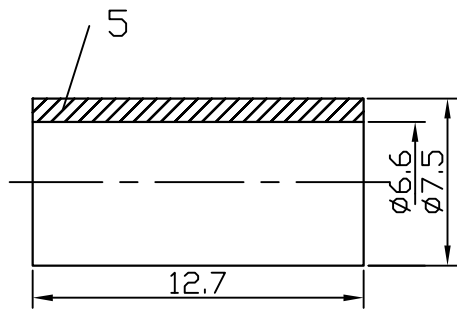
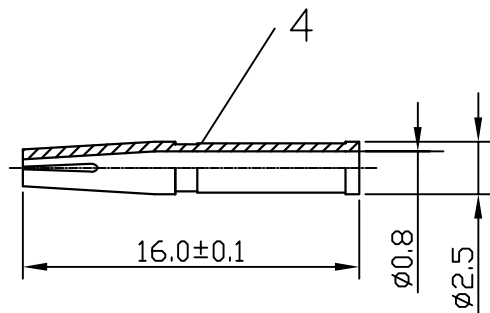


8 ROHS COMPLIANCE

DATE	DESCRIPTION	REV
09.03.30	NEW RELEASE	A



12					
11					
10					
9					
8					
7					
6					
5	RING	1	BRASS	NICKEL	
4	PIN	1	BRASS	GOLD	
3	WASHER	1	BRASS	NICKEL	
2	INSULATOR	1	DELTRIN	WHITE	
1	BODY	1	BRASS	NICKEL	
NO	Description	Q'ty	Material	Finish	Part Number

UNLESS OTHERWISE SPECIFIED 1. REMOVE ALL BURRS. 2. BREAK ALL CONNERS & EDGES CO. 15 MAX. 3. CHAMFER 1ST & LAST THREADS 45°. 4. DIAMETERS ON COMMON CENTERS. TO BE CONCENTRIC WITHIN 0.01 T. I. R. 5. ALL DIMENSIONS ARE AFTER PLATING.	MAJOR DIMENSIONS		APPROVED BY	DRAWING NO 411-105	
	UNLESS OTHERWISE NOTED TOLERANCES		CHECKED BY		
	SCALE	4/1	UNIT	MM	TITLE BNC FEMALE CRIMP FOR RG59/U(75ohm)
				DATE	REV. A

0.5-6=±0.2
 6-30=±0.4
 30-120=±0.6
 ANGLES=±5°

DRAWING BY
ART&MJP

DATE
 2011/02/15

DO NOT SCALE DRAWING