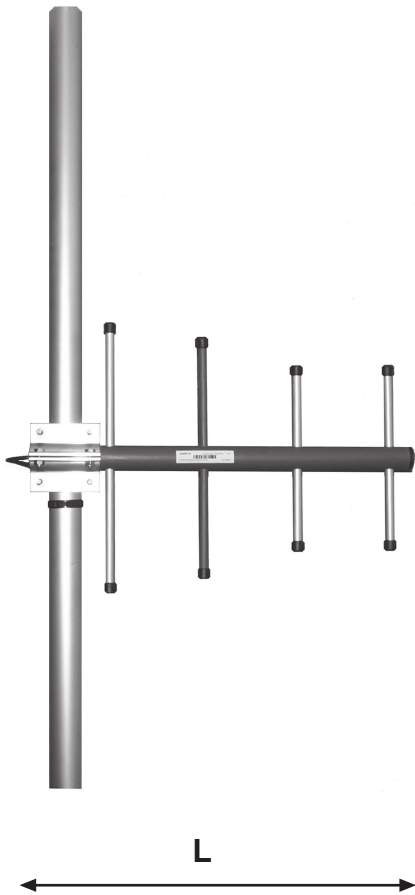


# ComAnt<sup>®</sup> Communications Antennas



## FREQUENCY INDEPENDENT DATA

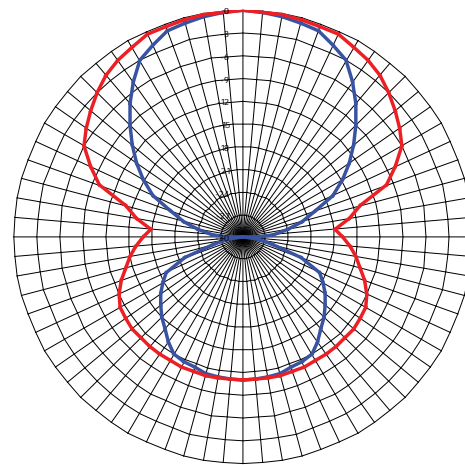
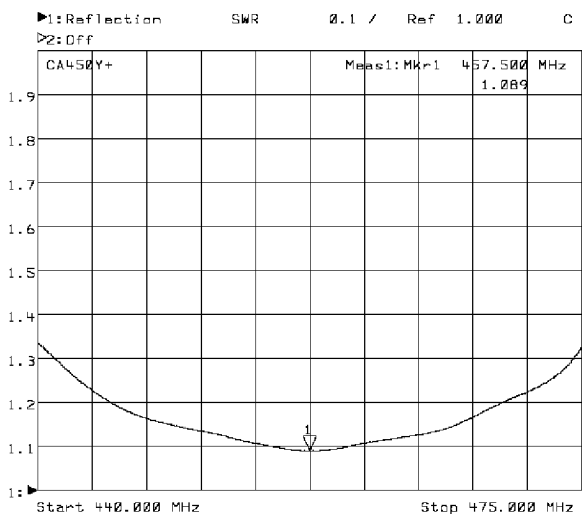
Description: directional yagi  
 Frequency: 135-145 MHz, 144-156 MHz, 154-166 MHz, 163-177 MHz, 221-239 MHz, 326-353 MHz, 336-364 MHz, 365-395 MHz, 380-410 MHz, 405-440 MHz, 440-475 MHz, 830-890 MHz, 865-925 MHz, 890-960 MHz

Impedance: 50 ohm  
 Gain: 8 dBi  
 Polarization: vertical/horizontal  
 Connector: N-female/TNC-female  
 VSWR: < 1.5  
 Radome: UV resistant ABS, RAL 7012, PU foam filling

Radiator: copper  
 Passive elements: coated aluminium  
 Attachment: Ø 35-60 mm, aluminium alloy bracket, stainless steel V-bolts and self locking nuts

Lightning protection: DC-short circuited  
 Temperature: -40° - +80°C  
 IP: 67

RADIATION PATTERN



— E dB — H dB

**CAY+ DIRECTIONAL YAGI**