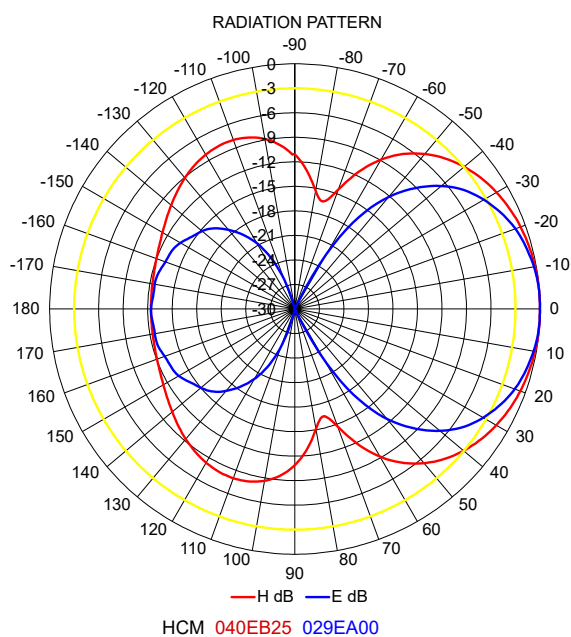
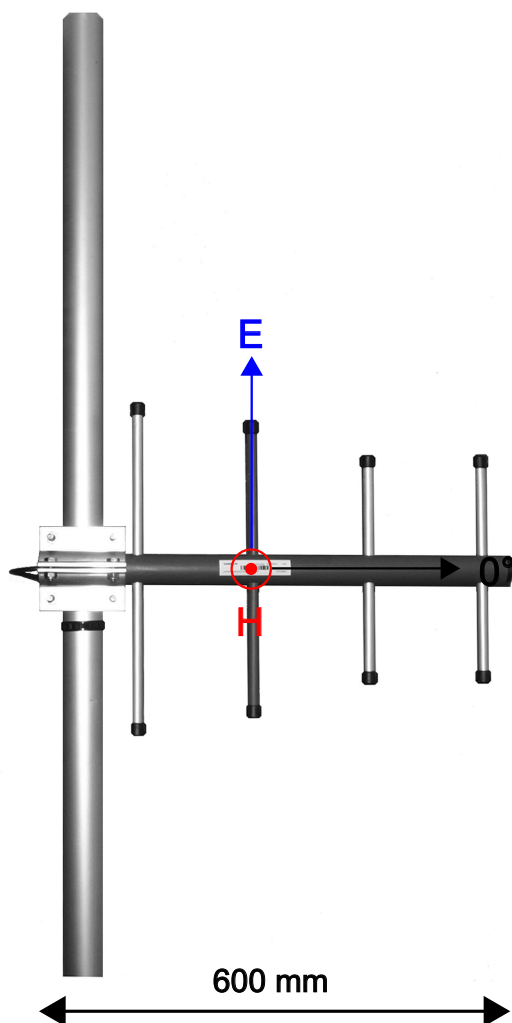


FREQUENCY INDEPENDENT DATA

Description: directional yagi
 Frequency: 380-410 MHz
 Impedance: 50 ohm
 Gain: 8 dBi
 H -3 dB: 80°
 E -3 dB: 57°
 F/B: 12 dB
 Polarization: vertical/horizontal
 Connector: N-female
 VSWR: < 1.5
 Radome: UV resistant ABS/FG,
 RAL 7012, PU foam filling
 Radiator: copper
 Passive elements: coated aluminium
 Attachment: Ø 35-60 mm, aluminium alloy
 bracket, stainless steel V-bolts
 and self-locking nuts
 Lightning protection: DC-short circuited
 Temperature: -40°C - +80°C
 IP: 67

- combination of durability, light weight and low wind load
- radome enclosed radiator
- IP67 proof construction
- all electromechanics moulded inside of closed cell PU foam
- DC shorted feed point
- integrated impedance compensation
- integrated RF choke



CA400Y+-N DIRECTIONAL YAGI